



Delivers more oOOoh.



Haval H6

GO WITH MORE

Haval H6. Delivers more oOOoh.

Contents	Page 1
Introduction	Page 2
Design	Page 6
Performance	Page 10
Technology	Page 16
Safety	Page 20
Hybrid	Page 22
GWM Care	Page 24
Dimensions	Page 26
Colour	Page 28
Specifications	Page 30

Say hello to GWM.



GWM is a world-renowned vehicle manufacturer capable of designing and producing SUVs, utes and powertrains simultaneously. At GWM, everything we do is grounded in our corporate philosophy: ‘improving little by little every day.’

From building world-class research and development systems, which enable continuous innovation, to following the ‘excessive investment’ principle, which drives industry leadership, we relentlessly put our philosophy into practice. With nearly 8 million sales to date, in more than 170 countries (and counting), we are the No. 1 SUV brand in the world’s largest market and have been for the past 9 years. Our brand vision is to pioneer global mobility solutions, which use innovative technology to deliver a more pleasurable driving experience. Through innovation and global collaboration, we continue to improve our vehicles’ reliability, safety, performance, design and technology.

Haval H6. Delivers more oOOoh.

When it comes to the Haval H6, performance, design and safety are paramount. It's a mid-size SUV that makes a bold statement wherever you go. Rich in features, delivering more oOOoh moments.





Designed, just for you.

From the impressive front to the stylish back, every inch of the H6 has been meticulously considered. Whether you're ducking out to the shops, or roaming far on a road-trip, your most versatile accessory will always be with you.



Signature front grille



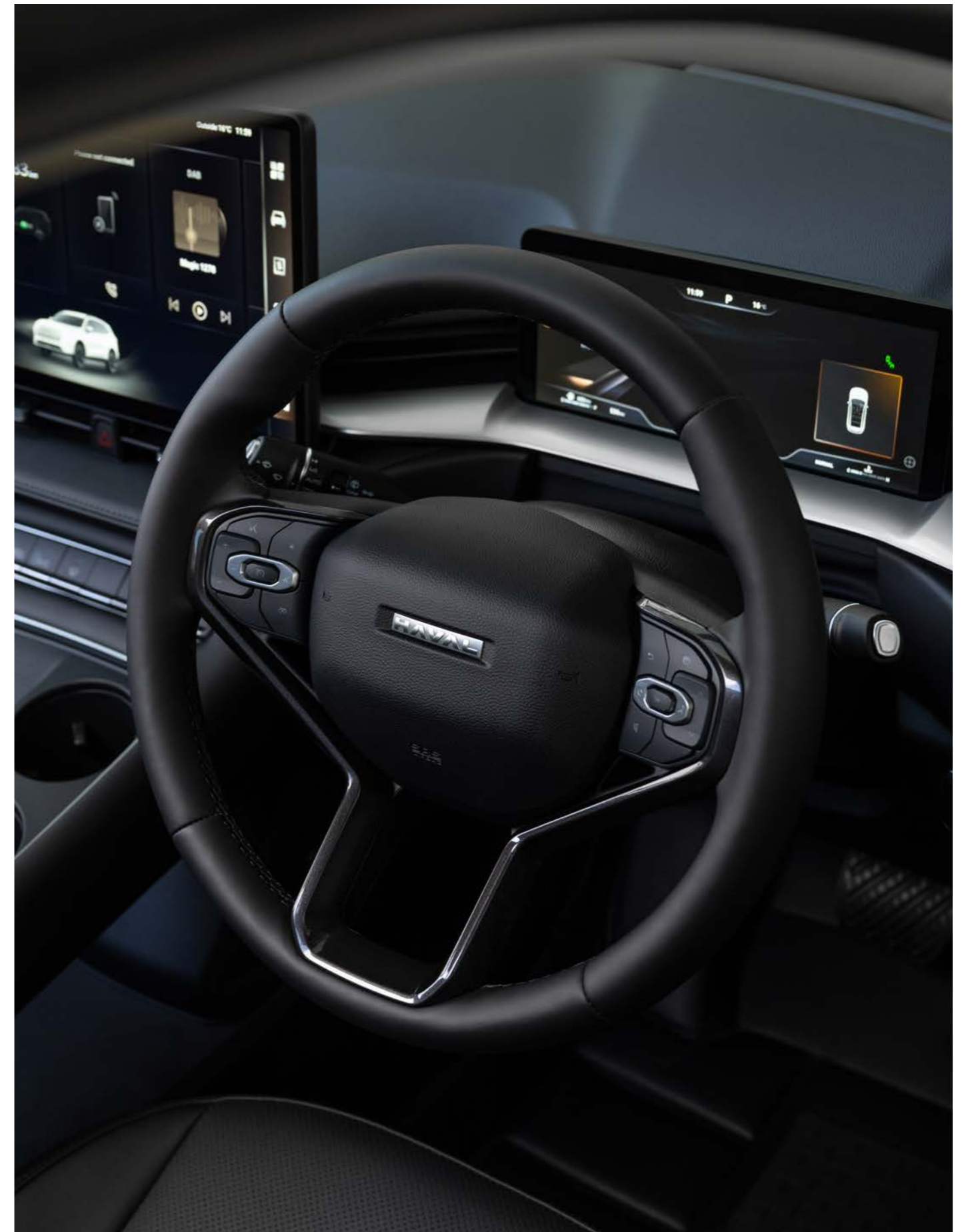
*Electric kick sensing tailgate**

*Not available on Lux Petrol

19" Alloy wheels



14.6" Infotainment screen



Column shifter



Performance when you need it.

Available with more powertrain options than ever before, the H6 provides a choice of internal combustion and highly sophisticated Hybrid technology. The highlight being our plug-in hybrid (Hi4) system combining effortless performance at your foot while increasing efficiency to provide real world benefit to the driver.

**The H6 AWD plug-in
hybrid (Hi4) accelerates
from 0-100km/h in just
4.8 seconds!**



Sophistication for every journey.



6-way electric adjustable driver seat



*9 speaker audio system**

The H6 is a technologically advanced SUV designed for those who want more in life. Features such as auto parking assist*, a 14.6" multimedia touchscreen and a heated* faux leather steering wheel give this SUV its distinct edge.



560L boot capacity (1485L max)*



Wireless Apple CarPlay & Android Auto

*Available on selected models



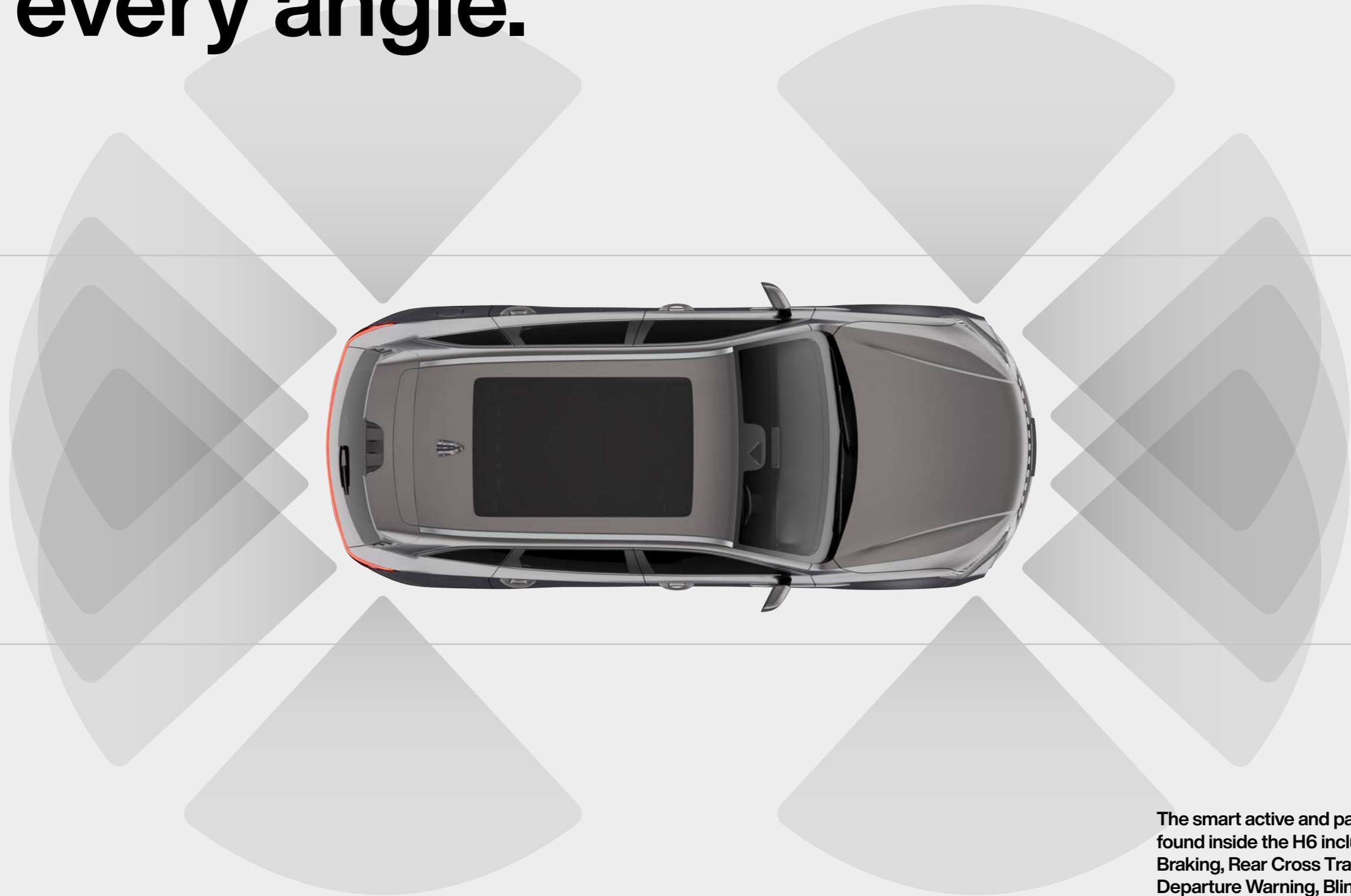


Highly intelligent mobility.

This bold and stylish SUV is also unbelievably safe. The Haval H6 comes with a comprehensive suite of safety systems designed to protect you and others on the road. Advanced safety features including Intelligent Adaptive Cruise Control, Lane Keep Assist, Traffic Sign Recognition, Traffic Jam Assist, and Auto Parking Assist* all combine to give you peace of mind knowing that GWM is looking out for you and everyone else around you every time you drive.

*Available on selected models

Protection from every angle.



The smart active and passive safety technologies found inside the H6 including Auto Emergency Braking, Rear Cross Traffic Assist, Lane Departure Warning, Blind Spot Detection and a 360-view camera, will let you know who or what's in front, behind and either side of you every time you take the vehicle out for a drive.

GWM Care

Every GWM comes with GWM Care. It begins from the moment you take delivery of your vehicle and continues long into the future. Wherever the road leads, you can rest assured knowing that your GWM will be kept at its best for many years to come.



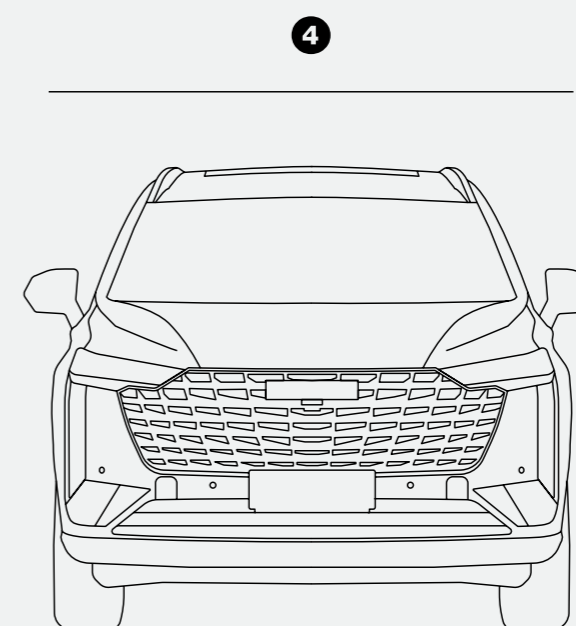
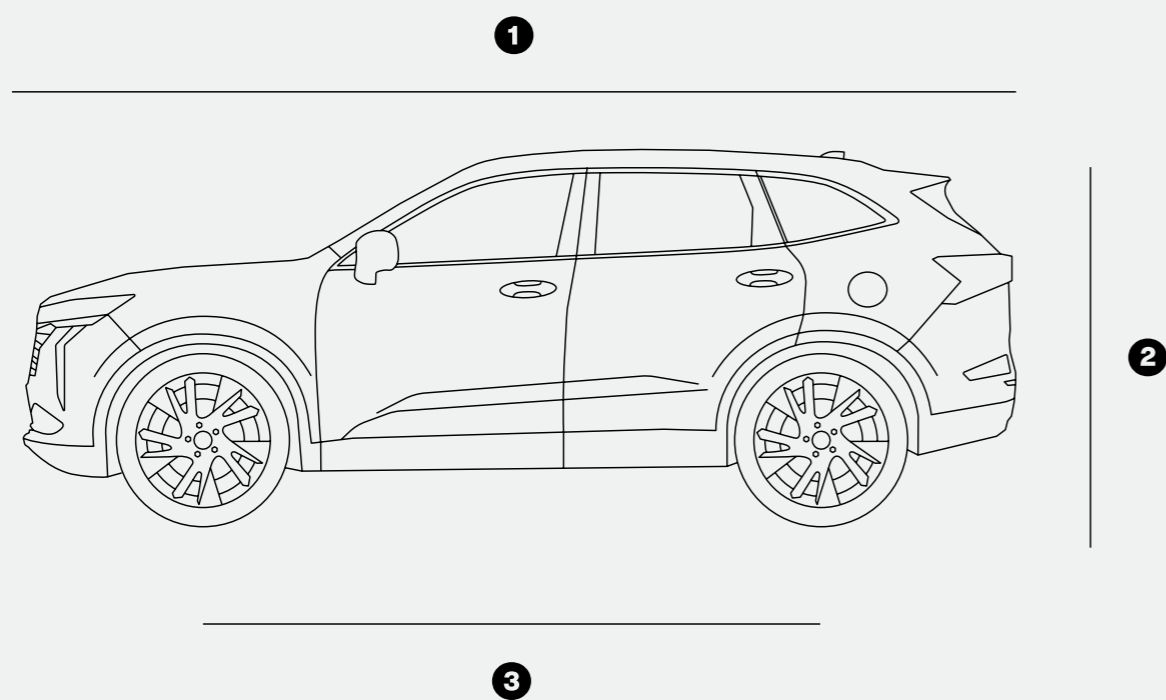
8 Unlimited KM
Battery Pack
Warranty

7 Year
Unlimited KM
Warranty

5 Year
Roadside
Assist

5 Year
Capped Price
Servicing

- ① Length: 4703mm
- ② Height: 1730mm
- ③ Wheelbase: 2738mm
- ④ Width: 1886mm



Dimensions.

GWM vehicles are available in a range of stunning contemporary colours.



Interior:

Comfort Tek - Black
*Comfort Tek - Cream**

*Not available with Hamilton White, Ultra variant only

Colour.

Premium Colour (\$495)



Hamilton White



Golden Black



Astral Pearl

Premium Colour (\$495)



Ayers Grey

Premium Colour (\$495)

		Lux Petrol 2WD	Ultra Petrol 2WD	Lux Hybrid 2WD	Ultra Hybrid 2WD	Ultra Hybrid AWD	Lux PHEV 2WD	Ultra PHEV 2WD	Ultra PHEV AWD
Dimensions	Length/Width/Height (mm)	4703 x 1886 x 1730	4703 x 1886 x 1730	4703 x 1886 x 1730	4703 x 1886 x 1730	4703 x 1886 x 1730	4703 x 1886 x 1730	4703 x 1886 x 1730	4703 x 1886 x 1730
	Wheelbase (mm)	2738	2738	2738	2738	2738	2738	2738	2738
Engine	2.0L Turbo Petrol	●	●	-	-	-	-	-	-
	1.5L Turbo Hybrid	-	-	●	●	●	●	●	●
	Displacement (cm ³)	1998	1998	1499	1499	1499	1499	1499	1499
	Max power (kW@rpm)	170 @ 6000	170 @ 6000	Combined 179kW; Electric motor 130kW; Petrol engine 110 @ 5500-6000;	Combined 179kW; Electric motor 130kW; Petrol engine 110 @ 5500-6000;	Combined 268kW; F. Electric motor 80kW; R. Electric motor 150kW; Petrol engine 110 @ 5500-6000;	Combined 240kW; Electric motor 130kW; Petrol engine 110 @ 5500-6000;	Combined 240kW; Electric motor 130kW; Petrol engine 110 @ 5500-6000;	Combined 268kW; F. Electric motor 80kW; R. Electric motor 150kW; Petrol engine 110 @ 5500-6000;
	Max torque (Nm@rpm)	380 @ 1700 - 4000	380 @ 1700 - 4000	Combined 530Nm; Electric motor 300Nm; Petrol engine 230 @ 1500-4000;	Combined 530Nm; Electric motor 300Nm; Petrol engine 230 @ 1500-4000;	Combined 760Nm; F. Electric motor 170Nm; R. Electric motor 350Nm; Petrol engine 240 @ 1800-4000	Combined 540Nm; Electric motor 300Nm; Petrol engine 240 @ 1800-4000;	Combined 540Nm; Electric motor 300Nm; Petrol engine 240 @ 1800-4000;	Combined 760Nm; F. Electric motor 170Nm; R. Electric motor 350Nm; Petrol engine 240 @ 1800-4000;
	Bore x stroke (mm)	82 x 94.6	82 x 94.6	75 x 84.9	75 x 84.9	75 x 84.9	75 x 84.9	75 x 84.9	75 x 84.9
	Compression ratio	11.0 : 1	11.0 : 1	11.8 : 1	11.8 : 1	10.9 : 1	10.9 : 1	10.9 : 1	10.9 : 1
	Fuel economy (L/100km) combined ²	7.4	7.4	5.2	5.2	5.4	1.0	1.0	1.1
	Low charge fuel economy (L/100km) combined ²	-	-	-	-	-	5.0	5.0	5.3
	CO2 Emissions (g/100km)	170	170	120	120	125	22	22	25
	Electric economy (Wh/km) ²	-	-	-	-	-	184	184	186
NEDC Combined range (km) ²	-	-	-	-	-	1106	1106	1043	
EV	NEDC EV range (km) ²	-	-	-	-	-	106	106	100
	Battery Type	-	-	-	-	-	LFP	LFP	LFP
	Battery Capacity (kWh)	-	-	-	-	-	19.09	19.09	19.09
	34kW DC charging (min)	-	-	-	-	-	30%-80& 28min	30%-80& 28min	30%-80& 28min
	6.6kW AC charging (hour)	-	-	-	-	-	15%-100% ≤3h	15%-100% ≤3h	15%-100% ≤3h
	V2L Capability	-	-	-	-	-	●	●	●
	Charge connection type	-	-	-	-	-	CCS2	CCS2	CCS2
	Scheduled Charging	-	-	-	-	-	●	●	●
	Battery Pre-heating	-	-	-	-	-	●	●	●
	Recommended fuel octane rating	91	91	91	91	91	91	91	91
Transmission	9-Speed Dual Clutch Transmission	●	●	-	-	-	-	-	-
	Dedicated Hybrid Transmission	-	-	●	●	●	●	●	●
	Driveline	2WD	2WD	2WD	2WD	AWD	2WD	2WD	AWD
Wheels	Size	19" Alloy Wheel Black							
	Tyres	225/55 R19	225/55 R19	225/55 R19	225/55 R19	235/55 R19	235/55 R19	235/55 R19	235/55 R19
	Spare Wheel	Spare Tyre T135/90R17	Spare Tyre T145/80R18	-	-	-	-	-	-
	Tyre Repair Kit	-	-	●	●	●	●	●	●

Specifications.

		Lux Petrol 2WD	Ultra Petrol 2WD	Lux Hybrid 2WD	Ultra Hybrid 2WD	Ultra Hybrid AWD	Lux PHEV 2WD	Ultra PHEV 2WD	Ultra PHEV AWD	
Brakes	Front and rear	Front: Caliper Ventilated Disc Brake / Rear: Caliper Disc Brake					Front: Ventilated disc brake / Rear: Caliper Ventilated Disc Brake			
	Auto park brake with brake hold	●	●	●	●	●	●	●	●	
Steering	Steering type and system	Electric / Rack & Pinion								
	Turning circle – kerb to kerb (m)	11.9	11.9	11.9	11.9	11.9	11.9	11.9	11.9	
Suspension	Suspension	Front: Macpherson / Rear: Multi link								
Weights And Capacities	Towing capacity ³ – with trailer	2,000	2,000	1,500	1,500	1,500	1,500	1,500	1,500	
	Towing capacity ³ – without trailer	750	750	750	750	750	750	750	750	
	Tare weight ¹ (kg)	1592	1592	1652	1682	1,796	1,861	1,861	1,946	
	Kerb weight ¹ (kg)	1,630	1,630	1,690	1,720	1,830	1,895	1,895	1,980	
	Gross Vehicle Mass ¹ (kg)	2,050	2,050	2,140	2,140	2,250	2,315	2,315	2,400	
	Gross Combined Mass (kg)	4,050	4,050	3,640	3,640	3,750	3,815	3,815	3,900	
	Seating capacity	5	5	5	5	5	5	5	5	
	Luggage capacity (L) Minimum	560	560	560	560	560	560	560	560	
	Luggage capacity (L) Maximum	1,485	1,485	1,445	1,445	1,445	1,445	1,445	1,445	
Fuel tank capacity (L)	61	61	61	61	61	55	55	55		
Chassis & Steering	Steering Mode - Comfortable/ Sport/Light	●	●	●	●	●	●	●	●	
	Driving Modes - 2WD (Normal/ Eco/Sport/Snow)	●	●	●	●	-	●	●	-	
	Driving Modes - 4WD (Normal/ Eco/Sport/Snow/4WD)	-	-	-	-	-	-	-	●	
	Driving Modes - 4WD (Normal/Eco/ Sport/Snow/Towing/4WD)	-	-	-	-	●	-	-	-	
	Power Modes (EV/EV Priority/ Intelligent Hybrid)	-	-	-	-	-	●	●	●	
	Single Pedal Mode	-	-	●	●	●	●	●	●	
	Adjustable Regen Level	-	-	●	●	●	●	●	●	
	Intelligent Start Stop	●	●	-	-	-	-	-	-	
Exterior	Kick sensing electric tailgate	-	●	●	●	●	●	●	●	
	Automatic Windscreen Wipers	●	●	●	●	●	●	●	●	
	Rear Windscreen Wiper	●	●	●	●	●	●	●	●	
	Roof Rails	●	●	●	●	●	●	●	●	
	Panoramic Sunroof	-	●	-	●	●	-	●	●	
	Shark Fin Aerial	●	●	●	●	●	●	●	●	

Specifications.

		Lux Petrol 2WD	Ultra Petrol 2WD	Lux Hybrid 2WD	Ultra Hybrid 2WD	Ultra Hybrid AWD	Lux PHEV 2WD	Ultra PHEV 2WD	Ultra PHEV AWD
Interior	Multi - Function Steering	●	●	●	●	●	●	●	●
	Microfibre Leather Steering	●	●	●	●	●	●	●	●
	Heated Steering Wheel	-	●	-	●	●	-	●	●
	Column electronic gear	●	●	●	●	●	●	●	●
	4 - Way Manually Adjustable	●	●	●	●	●	●	●	●
	Stainless Steel scuff plate	-	●	-	●	●	-	●	●
	Sun-Visor with Illuminated	●	●	●	●	●	●	●	●
	Wireless Charging	●	●	●	●	●	●	●	●
	Front 12V Power	●	●	●	●	●	●	●	●
	Luggage Cabin 12V Power	●	●	●	●	●	●	●	●
Cargo Cover	●	●	●	●	●	●	●	●	
Seats	Comfort-Tek Leather Acented Seat Trim	●	●	●	●	●	●	●	●
	6-Way Electric Adjustable Driver Seat	●	●	●	●	●	●	●	●
	Driver Seat with 2-way Lumbar Support	-	●	-	●	●	-	●	●
	Driver Seat Memory and Welcome function	-	●	-	●	●	-	●	●
	4-Way Manual Adjustable Front Passenger Seat	●	-	●	-	-	●	-	-
	4-Way Electric Adjustable Front Passenger Seat	-	●	-	●	●	-	●	●
	Front Heated Seats	-	●	-	●	●	-	●	●
	Front Ventilated Seats	-	●	-	●	●	-	●	●
	Rear Seats 60/40 Split	●	●	●	●	●	●	●	●
Entertainment	10.25 inch Full Colour Instrument Cluster	●	●	●	●	●	●	●	●
	Radio FM / AM / DAB	●	●	●	●	●	●	●	●
	Bluetooth®	●	●	●	●	●	●	●	●
	Voice command	●	●	●	●	●	●	●	●
	14.6 inch Full Colour Touch Screen Infotainment System	●	●	●	●	●	●	●	●
	Front USB Type A x2 Charge & Data Transmission	●	●	●	●	●	●	●	●
	Rear USB Type A & C	●	●	●	●	●	●	●	●
	8 Speakers	●	-	●	●	-	●	-	-
	9 Speakers	-	●	-	-	●	-	●	●
	Wireless Apple Carplay® + Android Auto™	●	●	●	●	●	●	●	●
	HUD (Heads Up Display)	-	●	-	●	●	-	●	●
	Telematics	-	-	-	-	●	●	●	●

Specifications.

		Lux Petrol 2WD	Ultra Petrol 2WD	Lux Hybrid 2WD	Ultra Hybrid 2WD	Ultra Hybrid AWD	Lux PHEV 2WD	Ultra PHEV 2WD	Ultra PHEV AWD
Security	Keyless Entry System	●	●	●	●	●	●	●	●
	Push Button Start	●	●	●	●	●	●	●	●
	Anti-theft Immobiliser	●	●	●	●	●	●	●	●
Glass	Green Glass	●	-	●	-	-	●	-	-
	Rear Privacy Glass	-	●	-	●	●	-	●	●
	Anti-Glare Rear View Mirror - Automatic	●	●	●	●	●	●	●	●
	Four Window + One Touch Up & Down + Anti-Pinch	●	●	●	●	●	●	●	●
	Key Fob Window Close Function	●	●	●	●	●	●	●	●
	Heated Door Mirrors	●	●	●	●	●	●	●	●
	Power Adjustable Door Mirrors + Electric Folding + Indicator + Puddle Light	●	●	●	●	●	●	●	●
	Auto Foldable Rear View Mirror Locking	●	●	●	●	●	●	●	●
Safety	Dual SRS Airbags	●	●	●	●	●	●	●	●
	Front Side Airbags	●	●	●	●	●	●	●	●
	Centre Airbag	●	●	●	●	●	●	●	●
	Curtain Airbags	●	●	●	●	●	●	●	●
	Front Seatbelts: Pre-Tensioner + Load Limiter + CLT	●	●	●	●	●	●	●	●
	Rear Seatbelts: Pretensioner + Load Limiter (Outer Side)	●	●	●	●	●	●	●	●
	Electronic Stability control - ESC	●	●	●	●	●	●	●	●
	Traction Control System - TCS	●	●	●	●	●	●	●	●
	Secondary Collision Mitigation - SCM	●	●	●	●	●	●	●	●
	Integrated Brake Control - IBC	-	-	●	●	●	●	●	●
	Dynamic Steering Torque	-	-	●	●	●	●	●	●
	Roll Movement Intervention - RMI	●	●	●	●	●	●	●	●
	Brake Assist System - BAS	●	●	●	●	●	●	●	●
	Hill Descent Control - HDC	●	●	●	●	●	●	●	●
	Hill-Start Assist Control - HAC	●	●	●	●	●	●	●	●
	Brake Override System - BOS	●	●	●	●	●	●	●	●
Tyre Pressure Monitor System - TPMS	●	●	●	●	●	●	●	●	

Specifications.

		Lux Petrol 2WD	Ultra Petrol 2WD	Lux Hybrid 2WD	Ultra Hybrid 2WD	Ultra Hybrid AWD	Lux PHEV 2WD	Ultra PHEV 2WD	Ultra PHEV AWD
Safety (Continued)	Dashcam USB Port	●	●	●	●	●	●	●	●
	Front Parking Assist	●	●	●	●	-	-	-	-
	Rear Parking Assist	●	●	●	●	●	●	●	●
	360 Degree Monitoring System	●	●	●	●	●	●	●	●
	Clear Chassis View	●	●	●	●	●	●	●	●
	Intelligent Parking Assist	-	●	-	●	-	-	-	-
	Reverse Assist	-	●	-	●	-	-	-	-
	Adaptive Cruise Control - ACC	●	●	●	●	●	●	●	●
	Intelligent Cruise Control - ICC	●	●	●	●	●	●	●	●
	Traffic Jam Assist - TJA	●	●	●	●	●	●	●	●
	Smart Dodge	●	●	●	●	●	●	●	●
	Emergency Lane Keep - ELK	●	●	●	●	●	●	●	●
	Rear Crossing Traffic Alert - RCTA	●	●	●	●	●	●	●	●
	Rear Crossing Traffic Braking - RCTB	●	●	●	●	●	●	●	●
	Forward Collision Warning - FCW	●	●	●	●	●	●	●	●
	Lane Departure Warning - LDW	●	●	●	●	●	●	●	●
	Lane Keeping Assist - LKA	●	●	●	●	●	●	●	●
	Lane Centre Keeping - LCK	●	●	●	●	●	●	●	●
	Automatic Emergency Braking - AEB (Pedestrian, Bicycle & Intersection)	●	●	●	●	●	●	●	●
	Traffic Sign Recognition - TSR	●	●	●	●	●	●	●	●
Blind Spot Monitor - BSM Lane Change Assist - LCA	●	●	●	●	●	●	●	●	
Rear Collision Warning - RCW	●	●	●	●	●	●	●	●	
Door Open Warning - DOW	●	●	●	●	●	●	●	●	
Indirect Driver Fatigue Monitor System DFMS	●	●	●	●	●	●	●	●	
ISOFIX	●	●	●	●	●	●	●	●	
Lighting	LED Headlights	●	●	●	●	●	●	●	●
	LED Taillights	●	●	●	●	●	●	●	●
	Automatic Headlights + "Follow Me Home" Function	●	●	●	●	●	●	●	●
	LED Rear Fog Lights	●	●	●	●	●	●	●	●
	Daytime Running Lights - DRL	●	●	●	●	●	●	●	●
	Ceiling Lamp	●	-	●	-	-	●	-	-
	Side Roof Lamp	-	●	-	●	●	-	●	●
	Ambient Lighting (Single Colour)	●	●	●	●	●	●	●	●
Air Conditioning	Dual-Zone Automatic Air Conditioning	●	●	●	●	●	●	●	●
	Rear Row AC Outlet	●	●	●	●	●	●	●	●

Specifications.





For more information visit gwmanz.com/au

GWM Australia reserve the right to alter vehicle specifications and equipment levels without notice. Some equipment featured on vehicles in this brochure may not be available or may be optional. To the extent permitted by law, GWM Australia shall not be liable to any person as a result of reliance on the content of the brochure. Always check with your local GWM Dealer for the latest product specifications.

Information in this brochure is current as at 10/02/2026.

Edition Code: GWMAU 20260210.

Copyright © GWMAU. All rights reserved.